



HP Designjet 4520 Printer series



Ideal for color production and unattended printing

Unattended color production at low cost

- Take advantage of unattended color printing with two long media rolls up to 575 ft (175 meters) and reliable 775-ml black, 400-ml color Original HP ink cartridges.
- Double your print capacity and truly maximize productivity with HP Double Swath technology and 160 GB hard disk.
- Experience greater cost efficiency with free HP support, HP supplies that deliver a better value, and finishing options that save time and money.

Provides great possibilities to grow your business

- Experience more possibilities to increase your personal productivity with the HP Instant Printing Utility 2.0, HP Embedded Web Server, and the optional Serif PosterDesigner Pro for HP⁽¹⁾.
- Turn your HP Designjet into a print workflow management system with optional stacker and SCP reprocontrol for HP⁽²⁾.
- Produce excellent lines and images with patented HP inks, printheads enabling 0.1% line accuracy⁽³⁾, and HP Professional Color technologies.
- Expand your business with high performance copy and scan capabilities⁽⁴⁾.
- Choose from a broad portfolio of over 35 Original HP media for high-quality results from CAD drawings and renders to presentations and posters.

Trusted integration in your IT environment

- Trusted connectivity and security-with built-in Gigabit Ethernet networking, advanced access control and optional HP Jetdirect support for secure IPsec and IPv6⁽⁵⁾. A Linux PS driver offers additional support for Linux users⁽⁶⁾.
- Manage your HP Designjet, fleet of devices, and your costs with HP Web Jetadmin and the embedded Web server.
- Experience true peace of mind with a printer and printing supplies you know you can trust—from a company with years of experience and expertise.



(1) Serif PosterDesigner Pro for HP is an optional feature. Not included, sold separately.

(2) SCP reprocontrol for HP is an optional feature. Not included, sold separately.

(3) +/-0.1% of the specified vector length or +/-0.1 mm (whichever greater) at 73° F (23° C), 50-60% relative humidity, on E/AO printing material in Best or Normal mode with HP Matte Film.

(4) The HP Designjet 4520 Scanner comes standard on the HP Designjet 4520 HD-MFP. It is an optional (not included, sold separately) accessory on the HP Designjet 4520 and 4520ps printers.

(5) IPsec and IPv6 support requires the purchase of the HP Jetdirect 630n or HP Jetdirect 635n.

(6) Available on the HP Designjet 4520ps Printer and HP Designjet 4520 HD-MFP only. Support in English only.

For High
Production
environment

100
D/A1
prints per hour

775-ml black,
400-ml color
cartridges

160 GB
hard disk

Optional
PostScript

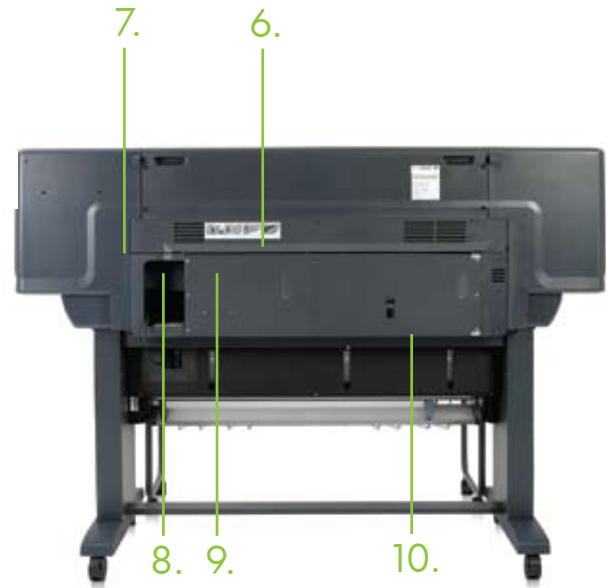
SCP
reprocontrol
for HP

2
rolls

Scanning/
Copying
capabilities

HP Designjet 4520 Printer series

1. Ink cartridge of 225 and 400-ml for CMY, and 400 and 775-ml for K.
2. Accommodates 2 media rolls with long roll support up to 575 ft (175 m)
3. Front panel with user-friendly animations.
4. Color consistency and screen-to-print matching with HP Professional Color technologies.
5. Pairs of staggered printheads in the carriage mean the HP Designjet 4520 Printer series has double the print capacity of earlier models⁷.
6. HP Embedded Web Server for driverless file submission, queue management, preview, supplies and printer status, and error notification.
7. HP Embedded Jetdirect Gigabit Ethernet print server (1000Base-T) + 2 FireWire (IEEE-1394a compliant) ports.
8. EIO port for optional Jetdirect cards.
9. Embedded processor for simultaneous printing and processing. 160 GB hard disk and 608 MB standard memory—upgradeable to 1120 MB.
10. Equipped with a standard bin that holds 25 D (A1) prints. An optional stacker is capable of flattening and stacking up to 200 plots.



(7 Compared to any HP Designjet 600/700/800/1000 Printer



HP large black ink cartridge



HP long media roll



0.2 in (5 mm) margins



HP Double Swath Technology

HP Designjet 4520 Printer series at a glance

HP Designjet 4520 Printer

- Up to 42 in (1067 mm) wide
- 2400 x1200 dpi maximum resolution
- Two media rolls with long roll support up to 575 ft (175 m)
- Ink supplies of 225 and 400-ml for CMY, 400 and 775-ml for K
- Embedded processor and 608 MB memory upgradeable up to 1120 MB. 160 GB hard disk
- Support for HP-GL/2, HP-RTL, TIFF, JPEG, CALS G4

HP Designjet 4520ps Printer

All the features of the 4520 model, plus:

- Embedded RIP for Adobe PostScript 3, Adobe PDF 1.5

HP Designjet 4520 HD-MFP

All the features of the 4520 model, plus:

- Embedded RIP for Adobe PostScript 3, Adobe PDF 1.5
- HP Designjet 4520 Scanner

Optional accessories

- HP Designjet 4500 Stacker
- HP Designjet 4520 Scanner⁴
- HP Designjet 42 in (1067 mm) Roll Feed Spindle
- HP Designjet 512 MB Memory Upgrade
- HP Designjet High Speed USB 2.0 Card
- HP Jetdirect 630n IPv6 Gigabit Print Server
- HP Jetdirect 635n IPv6/IPsec Print Server
- Serif PosterDesigner Pro for HP
- SCP reprocontrol for HP

Optional service and support

- HP Installation Services with Network Setup (1 unit)
- HP Next Business Day Onsite Hardware Support, 3 years
- HP Same Day 9x5 Onsite Hardware Support, 3 years
- HP Same Day 13x5 Onsite Hardware Support, 3 years

Ideal for unattended printing of high-quality large-format drawings, graphics, maps, presentations, renders, and posters¹.

Full flexibility from the HP Designjet 4520 Printer series



More functionality with the HP Designjet 4520 HD-MFP

With scan speeds of 3 inches per second color and 10 inches per second black-and-white, 2 D (A1)-size prints in less than 1 minute⁸, and excellent image quality (508 dpi optical resolution and up to 9600 dpi enhanced resolution), the HP Designjet 4520 HD-MFP delivers outstanding copy and scan performance.

The integrated copy system of this Designjet features real-time printer, media, and queue info in the scanner user interface, copy accounting in the printer, and copy job priority capability. Integration with the printer enables excellent copy quality and performance.

An easy-to-use touchscreen, easy color calibration, and easy print settings for printing sets make scanning and copying exceptionally user-friendly.

It is easy to integrate with a wide variety of industry-leading third-party applications such as scan, raster-to-vector conversion, or document management.

This MFP is fully compatible. Easily print scanned documents directly to almost any HP Designjet printer⁹. Built-in scan-to-network capabilities foster productivity with fewer steps. Easily save scanned files in PDF, TIFF, JPEG2000, and DWF file formats.

HP Designjet 4500 Stacker (optional)

The HP Designjet 4500 Stacker collects up to 200 D (A1) or E (A0) size plots and automatically flattens them, keeping them organized until you can gather them. Print unattended runs during business hours—and get more done—or overnight.

Free up production staff to work on multiple projects at once. The HP Designjet 4500 Stacker handles large black-and-white or color jobs without intervention. Unattended printing allows users to get more done.

Save time and collect your valuable, high-impact output as it prints with the HP Designjet 4500 Stacker. When you're ready to gather your output, it will be organized and waiting for you. Neatly and cleanly collects all sizes and weights of printable media supported by the HP Designjet 4520 Printer series¹⁰, including over 35 Original HP printing materials from new HP Cockle-free Coated Paper available in 100 g/m² and 170 g/m², to new chlorine-free HP Recycled Bond Paper made of 100% recycled base paper, to versatile HP Everyday Adhesive Matte Polypropylene and HP Durable Banner with DuPont™ Tyvek®.

⁽⁸⁾ Mechanical printing time. Line drawing printed in Fast mode on HP Bright White Inkjet Paper (Bond). Speed indicated is maximum printer speed.

⁽⁹⁾ Fully compatible with HP Designjet 510, 4020, 4520, 5000, 5500, T610, T1120, Z2100, Z3200, Z6100 series products.

⁽¹⁰⁾ Stacker performance may vary depending on the media used.

HP Designjet 4520 Printer series

Technical specifications

| | |
|--|---|
| Print speed | 25 sec/page on D/A1 ¹⁰ , 1000 ft ² /hr (93 m ² /hr) ¹¹ , 100 D/A1 prints per hour ¹² |
| Print | |
| Print resolution | Up to 2400 x 1200 optimized dpi |
| Margins (top x bottom x left x right) | 0.2 x 0.2 x 0.2 x 0.2 in (5 x 5 x 5 x 5 mm) |
| Technology | HP Thermal Inkjet |
| Ink cartridge colors | Black, cyan, magenta, yellow |
| Ink types | Dye-based (cyan, magenta, yellow), pigment-based (black) |
| Ink drop | 5 pl (cyan, magenta, yellow), 15 pl (black) |
| Line accuracy | +/- 0.1% ¹³ |
| Line Width | Minimum line width (HP-GL/2 addressable): 0.0007 in (0.02 mm) Guaranteed minimum line thickness (ISO/IEC 13660:2001(E))*: 0.0027 in (0.07 mm) |
| Printer media | |
| Thickness | Up to 15.7 mil (0.4 mm) |
| Weight | 0.11 to 0.72 lb (50 to 328 g/m ²) |
| Size | Rolls up to 42 in (1067 mm) wide |
| Scan¹⁴ | |
| Scan speed | Color (200 dpi/400 dpi Turbo): 3 in./sec (76 mm/sec) Black-and-white (200 dpi/400 dpi Turbo): 10 in./sec (254 mm/sec) |
| Scan/copy resolution | Enhanced mode: 9600 x 9600 dpi, with variable resolution settings from 50 dpi in increments of 1 dpi Best mode: 300 x 300 dpi Normal mode: 200 x 200 dpi Draft mode: 150 x 150 dpi |
| Maximum scan width | 42 in (1067 mm) |
| Maximum scan thickness | 0.6 in (15 mm) |
| Memory | |
| Printer | 608 MB memory (upgradeable to 1120 MB), 160 GB hard disk |
| Scanner ¹⁴ | 1 GB memory, 40 GB hard disk |
| Media Handling | |
| Printers | Two automatic rolls, automatic roll-switching, automatic cutter |
| Scanner ¹⁴ | Straight-through scan paper path for sheet and cardboard originals |
| Media Types | |
| Printers | Bond and coated paper, technical paper, film, photographic paper, proofing paper, self-adhesive, banner and sign material |
| Scanner ¹⁴ | Non-abrasive paper, vellum, Mylar, sepia, blueprints, plastic, film, plastic laminate, or foamed board, cardboard. (No plywood, stone plates, metal plates or abrasive, dirty, rough, sharp edged, metal damped, or burn surfaces or transparencies) |
| Stacker | Paper (plain, inkjet, coated, heavyweight coated, super heavyweight coated, semi-gloss, translucent bond, natural tracing, photo, vellum) ¹³ |
| Connectivity | |
| Interfaces (standard): Printers | 1 Gigabit Ethernet (1000Base-T) port, 2 FireWire (IEEE1394a compliant) ports, 1 EIO Jetdirect accessory slot |
| Interfaces (standard): Scanner ¹⁴ | 1 Gigabit Ethernet (1000Base-T) port, 1 FireWire (IEEE1394a compliant) port |
| Drivers (included) | HP-GL/2, HP-RTL, PostScript [®] drivers for Windows; HP PCL 3 GUI, PostScript [®] drivers for Mac OS X 10.4/10.5; support for Citrix XenApp and Citrix XenServer environments |
| Print languages (standard) | |
| 4520 | HP-GL/2, HP-RTL, TIFF, JPEG, CALS G4 |
| 4520ps & 4520 HD-MFP | Adobe PostScript 3, Adobe PDF 1.5, HP-GL/2, HP-RTL, TIFF, JPEG, CALS G4 |
| Dimensions (h x d x w) | |
| Printer | 76 x 31.5 x 53.2 in (1930 x 800 x 1350 mm) |
| Scanner ¹⁴ | 70.8 x 40.2 x 54.3 in (1800 x 1020 x 1380 mm) |
| Stacker | 50.63 x 61.77 x 44.69 in (1286 x 1569 x 1135 mm) |
| Shipping Printer | 83.9 x 30.5 x 74.4 in (2130 x 775 x 1890 mm) |
| Shipping Scanner ¹⁴ | 75.2 x 26.8 x 24.2 in (1910 x 680 x 615 mm) |
| Shipping Stacker | 55.1 x 31.9 x 23.6 in (1400 x 810 x 23.6 mm) |
| Weight | |
| Printer | 408 lb (185 kg) |
| Scanner ¹⁴ | 204 lb (92.5 kg) |
| Stacker | 116 lb (53 kg) |
| Shipping Printer | 599.1 lb (272.3 kg) |
| Shipping Scanner ¹⁴ | 269 lb (122 kg) |
| Shipping Stacker | 143.3 lb (65 kg) |
| What's in the box | |
| HP Designjet 4520/4520ps | Printer, 42-in printer stand and bin, printheads (x8), printhead cleaners (x8), introductory ink cartridges, roll module, user maintenance kit, quick reference guide, setup poster, Serif PosterDesigner Pro poster, documentation and drivers CD, power cord |
| HP Designjet 4520 HD-MFP | All the features mentioned above, plus HP Designjet 4520 Scanner, scanner stand, touchscreen (panel PC), keyboard, quick reference guide, setup poster, documentation CD, system recovery DVD, customer service guide, FireWire cables (x2), Ethernet cable, power cord |

(1) Color image (100% color coverage) printed in Fast mode on HP Bright White Inkjet Paper (Bond). Speed indicated is maximum printer speed.

(12) Multi-copy printing; total printing time. Line drawings printed in Fast mode on HP Bright White Inkjet Paper (Bond). Speed indicated is maximum printer speed.

(13) The HP Designjet 4520 Stacker does not support films, including HP Clear Film and HP Matte Film or other media with long drying times.

| | |
|---|--|
| Environmental ranges | |
| Operating temperature | 41 to 104° F (5 to 40° C) |
| Recommended operating temperature | 59 to 86° F (15 to 30° C) |
| Storage temperature | -4 to 131° F (20 to 55° C) |
| Operating humidity | 20 to 80% RH |
| Recommended humidity | 25 to 75% RH |
| Acoustic | |
| Sound pressure, active | 53 dB(A) |
| Sound pressure, standby | 38 dB(A) |
| Sound power, active | 7.0 B(A) |
| Sound power, standby | 5.9 B(A) |
| Power consumption | |
| Maximum | 500 watts, 800 watts ¹⁴ |
| Power requirements | |
| Printers | Input voltage (auto ranging): 100 to 127 VAC (+/- 10%), 6 A; 220 to 240 VAC (+/- 10%), 3 A; 50/60 Hz (+/- 3 Hz); |
| Scanner | 100 to 240 VAC (+/- 10%), 50/60 Hz, 5 A maximum |
| Certification | |
| Safety | USA and Canada (CSA certified), EU (LVD and EN60950-1 compliant), Russia (GOST), Singapore (PSB), China (CCC), Argentina (IRAM), Mexico (NICE) |
| Environmental | EU & China RoHS, WEEE, REACH, EuP |
| Electromagnetic | Compliance for Class A ITE products: EU (EMC Directive), USA (FCC Rules), Canada (ICES), Australia (ACA), New Zealand (MoC), China (CCC), Japan (VCCI), Certified as Class A product: Korea (MIC), Taiwan (BSMI) see: www.hp.com/go/energystar |
| ENERGY STAR [®] qualified models | |
| Warranty | One-year limited hardware warranty |
| HP Care Pack Services | |
| UN397E | HP 3-Year Next Business Day Onsite |
| H4518E | HP Installation Service with Network Setup |
| UN394E | HP 3-Year Same Day Onsite Service (9x5) |
| UN390E | HP 3-Year Same Day Onsite Service (13x5) |



Ordering information

| | |
|--------------------|---|
| Product | HP Designjet 4520 42-in Printer |
| CM767A | HP Designjet 4520ps 42-in Printer |
| CM768A | HP Designjet 4520 HD-MFP |
| CM769A | HP Designjet 4520 HD-MFP |
| Accessories | |
| Q5676A | HP Designjet 42-in Roll Feed Spindle |
| Q5680A | HP Designjet High Speed USB 2.0 Card |
| CM973A | HP Designjet 512 MB Memory Upgrade |
| Q5677B | HP Designjet 4500 Stacker 110V |
| J7997G | HP Jetdirect 630n IPv6 Gigabit Print Server |
| J7961G | HP Jetdirect 635n IPv6/PSec Print Server |
| CN088A | Serif PosterDesigner Pro for HP |
| CN454A | SCP reprocontrol for HP (1 printer) |
| CN455A | SCP reprocontrol for HP (2 printers) |
| CM770A | HP Designjet 4520 Scanner (comes as standard with HP Designjet 4520 HD-MFP) |

Original HP ink cartridges

| | |
|--------|---|
| C5054A | HP 90 Black Printhead and Cleaner |
| C5055A | HP 90 Cyan Printhead and Cleaner |
| C5056A | HP 90 Magenta Printhead and Cleaner |
| C5057A | HP 90 Yellow Printhead and Cleaner |
| C5060A | HP 90 225-ml Cyan Ink Cartridge |
| C5062A | HP 90 225-ml Magenta Ink Cartridge |
| C5064A | HP 90 225-ml Yellow Ink Cartridge |
| C5061A | HP 90 400-ml Cyan Ink Cartridge |
| C5063A | HP 90 400-ml Magenta Ink Cartridge |
| C5065A | HP 90 400-ml Yellow Ink Cartridge |
| C5058A | HP 90 400-ml Black Ink Cartridge |
| C5059A | HP 90 775-ml Black Ink Cartridge |
| C5078A | HP 90 Black Printhead/Cleaner & Ink Cartridge, 400-ml, Value Pack |
| C5079A | HP 90 Cyan Printhead/Cleaner & Ink Cartridge, 400-ml, Value Pack |
| C5080A | HP 90 Magenta Printhead/Cleaner & Ink Cartridge, 400-ml, Value Pack |
| C5081A | HP 90 Yellow Printhead/Cleaner & Ink Cartridge, 400-ml, Value Pack |
| C5082A | HP 90 Black Ink Cartridges, 400-ml, 3-ink Multipack |
| C5083A | HP 90 Cyan Ink Cartridges, 400-ml, 3-ink Multipack |
| C5084A | HP 90 Magenta Ink Cartridges, 400-ml, 3-ink Multipack |
| C5085A | HP 90 Yellow Ink Cartridges, 400-ml, 3-ink Multipack |
| C5095A | HP 90 Black Ink Cartridges, 775-ml, 3-ink Multipack |
| C5096A | HP 90 Black Printhead Cleaner |

Original HP large-format printing materials

| | |
|--------|--|
| Q1397A | HP Universal Bond Paper 80 g/m ² , 36 in. x 150 ft/914 mm x 45.7 m |
| Q8751A | HP Universal Bond Paper 80 g/m ² , 36 in. x 574 ft/914 mm x 175 m |
| C6810A | HP Bright White Inkjet Paper 90 g/m ² , 36 in. x 300 ft/914 mm x 91.4 m |
| C6020B | HP Coated Paper 90 g/m ² , 36 in. x 150 ft/914 mm x 45.7 m |
| C6980A | HP Coated Paper 90 g/m ² , 36 in. x 300 ft/914 mm x 91.4 m |
| C6030C | HP Heavyweight Coated Paper 131 g/m ² , 36 in. x 100 ft/914 mm x 30.5 m |
| Q1956A | HP Heavyweight Coated Paper 131 g/m ² , 42 in. x 225 ft/1067 mm x 67.5 m |
| C3868A | HP Natural Tracing Paper 90g/m ² , 36 in. x 150 ft/914 mm x 45.7 m |
| C3875A | HP Clear Film 174 g/m ² , 36 in. x 75 ft/914 mm x 22.9 m |
| 51642B | HP Matte Film 160 g/m ² , 36 in. x 125 ft/914 mm x 38.1 m |
| Q1427A | HP Universal High-gloss Photo Paper 190 g/m ² , 36 in. x 100 ft/914 mm x 30.5 m |
| Q1421A | HP Universal Semi-gloss Photo Paper 190 g/m ² , 36 in. x 100 ft/914 mm x 30.5 m |
| CG886A | HP Cottle-free Heavyweight Coated Paper 170 g/m ² , 24 in. x 100 ft/610 mm x 30.5 m |
| CG887A | HP Cottle-free Heavyweight Coated Paper 170 g/m ² , 36 in. x 100 ft/914 mm x 30.5 m |
| CG888A | HP Cottle-free Heavyweight Coated Paper 170 g/m ² , 42 in. x 100 ft/1067 mm x 30.5 m |
| CG883A | HP Cottle-free Coated Paper 100 g/m ² , 24 in. x 150 ft/610 mm x 45.7 m |
| CG884A | HP Cottle-free Coated Paper 100 g/m ² , 36 in. x 150 ft/914 mm x 45.7 m |
| CG885A | HP Cottle-free Coated Paper 100 g/m ² , 42 in. x 150 ft/1067 mm x 45.7 m |
| CG889A | HP Recycled Bond Paper 80 g/m ² , 24 in. x 150 ft/610 mm x 45.7 m |
| CG890A | HP Recycled Bond Paper 80 g/m ² , 36 in. x 150 ft/914 mm x 45.7 m |
| CG891A | HP Recycled Bond Paper 80 g/m ² , 42 in. x 150 ft/1067 mm x 45.7 m |
| CG892A | HP Recycled Bond Paper 80 g/m ² , (A2) 16.5 in. x 150 ft/420 mm x 45.7 m |
| CG824A | HP Everyday Adhesive Matte Polypropylene 180 g/m ² , 36 in. x 75 ft/914 mm x 22.9 m |
| CG825A | HP Everyday Adhesive Matte Polypropylene 180 g/m ² , 42 in. x 75 ft/1067 mm x 22.9 m |
| CG843A | HP Everyday Adhesive Matte Polypropylene 180 g/m ² , 24 in. x 75 ft/610 mm x 22.9 m |
| CG821A | HP Durable Banner with DuPont [™] Tyvek [®] 140 g/m ² , 36 in. x 75 ft/914 mm x 22.9 m |
| CG822A | HP Durable Banner with DuPont [™] Tyvek [®] 140 g/m ² , 42 in. x 75 ft/1067 mm x 22.9 m |
| CG823A | HP Durable Banner with DuPont [™] Tyvek [®] 140 g/m ² , 60 in. x 75 ft/1524 mm x 22.9 m |

More HP large-format printing material sizes and weights available at: www.hp.com/go/designjet/supplies

ecoHIGHLIGHTS

HP DESIGNJET 4520 PRINTER¹

ECO INFORMATION

- Save paper and avoid printing mistakes with HP Instant Printing Utility 2.0
- Less ink wasted thanks to efficient installation and maintenance routine.
- Free, convenient cartridge recycling²
- Supports 100% recycled media



ENERGY STAR[®] Qualified Product

1. Does not apply to 4520 HD-MFP
2. In countries where the HP's Planet Partner Program operates

www.hp.com/ecosolutions

Please recycle your printing hardware and supplies. Find out how at our website.



© 2004, 2009 Hewlett-Packard Development Company, L.P. The information contained herein is subject to change without notice. The only warranties for HP products and services are set forth in the express warranty statements accompanying such products and services. Nothing herein should be construed as constituting an additional warranty. HP shall not be liable for technical or editorial errors or omissions contained herein. PANTONE is the property of Pantone, Inc. Adobe and PostScript 3 are trademarks of Adobe Systems Incorporated. FireWire is a trademark of Apple Computer, Inc., registered in the U.S. and other countries. ENERGY STAR and the ENERGY STAR mark are registered U.S. marks. Windows is a U.S. registered trademark of Microsoft Corporation.

For more information, visit our website at:

www.hp.com/go/designjet4520



125 GUEST STREET • BRIGHTON, MA • 02135
800.835.0194 www.makepeace.com

